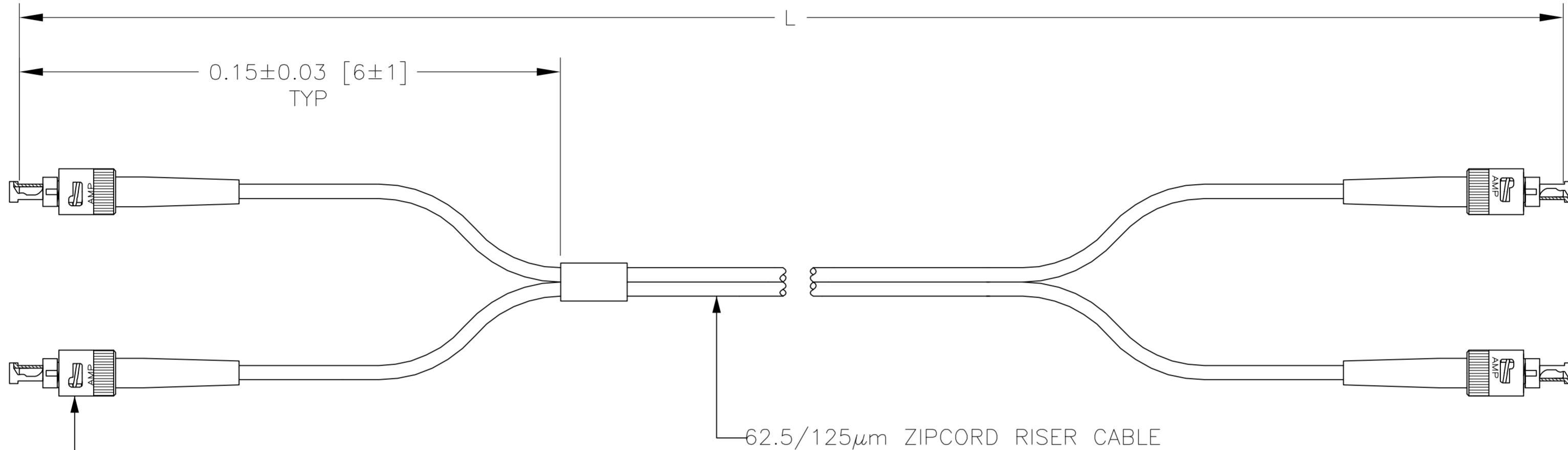


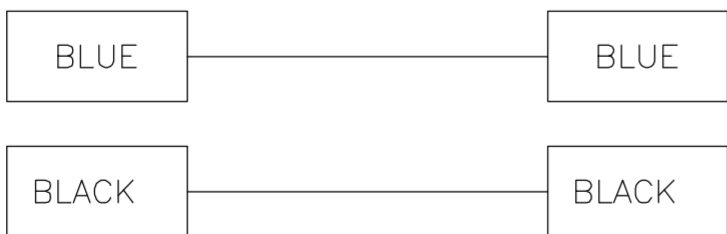
THIS DRAWING IS UNPUBLISHED. RELEASED FOR PUBLICATION
 © COPYRIGHT BY TYCO ELECTRONICS CORPORATION. ALL RIGHTS RESERVED.

LOC	DIST	REVISIONS			
P	LTR	DESCRIPTION	DATE	OWN	APVD
CE	16	A2	ADDED P/N -99	12MAR07	JWD JD

- 1. MAXIMUM CONNECTOR INSERTION LOSS IS 0.80dB PLUS CABLE ATTENUATION OF 1.5dB/km AT 1300nm (SEE TABLE)
- 2. PRODUCT AND PROCESSING MUST MEET REQUIREMENTS OF TYCO ELECTRONICS STANDARD 230-702



POLYMER COMPOSITE OVERMOLDED 2.5mm BAYONET CONNECTOR KIT TYP



FIBER PATH SCHEMATIC

0.96	304.8±3.0 [1200.0±120.0]	9-5503994-9
0.81	6.00±0.08 [236.2±3.0]	5503994-6
0.81	10.00±0.15 [394±6]	5503994-5
0.81	5.00±0.08 [197±3]	5503994-4
0.80	3.00±0.05 [118±2]	5503994-3
0.80	2.00±0.05 [79±2]	5503994-2
0.80	1.00±0.05 [39±2]	5503994-1
MAX IL (dB)	L METERS [INCHES]	PART NUMBER

THIS DRAWING IS A CONTROLLED DOCUMENT.

DWN	C.S.VASU	01 FEB 06	tyco Electronics	Tyco Electronics Corporation Harrisburg, PA 17105-3608
CHK	J.DUNCAN	01 FEB 06		
APVD	J.DUNCAN	01 FEB 06	NAME	
PRODUCT SPEC			CABLE ASSEMBLY, FIBER OPTIC, 62.5/125 um ZIPCORD RISER, POLYMER COMPOSITE OVERMOLDED 2.5mm BAYONET, OPTIMATE	
APPLICATION SPEC			SIZE	RESTRICTED TO
MATERIAL			WEIGHT	SCALE
DIMENSIONS: METERS [INCHES]			CAGE CODE	SHEET
TOLERANCES UNLESS OTHERWISE SPECIFIED:			DRAWING NO	REV
0 PLC	±	-	A2	00779
1 PLC	±	-	C-5503994	
2 PLC	±	-	CUSTOMER DRAWING	
3 PLC	±	-	SCALE NTS	
4 PLC	±	-	SHEET 1 OF 1	
ANGLES	±	-	REV A2	
FINISH	-	-		

5503994